



**HADLOW  
INNOVATIONS**

THE

— **luGul** —

Design Patent No: **F2021/00644**  
Complete functional Patent No: **2021/03809**



**NO BRICKS  
NO SAND  
NO CEMENT**

[www.hadlowinnovation.co.za](http://www.hadlowinnovation.co.za)  
[info@hadlowinnovation.co.za](mailto:info@hadlowinnovation.co.za)

**PVC Gully surround.**  
**Fantastic value for money**

*simplicity*

# Benefits

- Waterproof
- Anti- fungal
- Fire Resistant
- Acid Resistant
- Recyclable
- Anti -Bacterial
- Pest Resistant
- Easy installation

# Features

- Light in Weight
- Easy to clean
- Crack resistant
- Modular
- High rigidity and strength
- Can be welded in accordance with PVC bonding materials
- Drain plug to double up gully as a gray water system.

# Takes minutes to install



Shop Display/stock

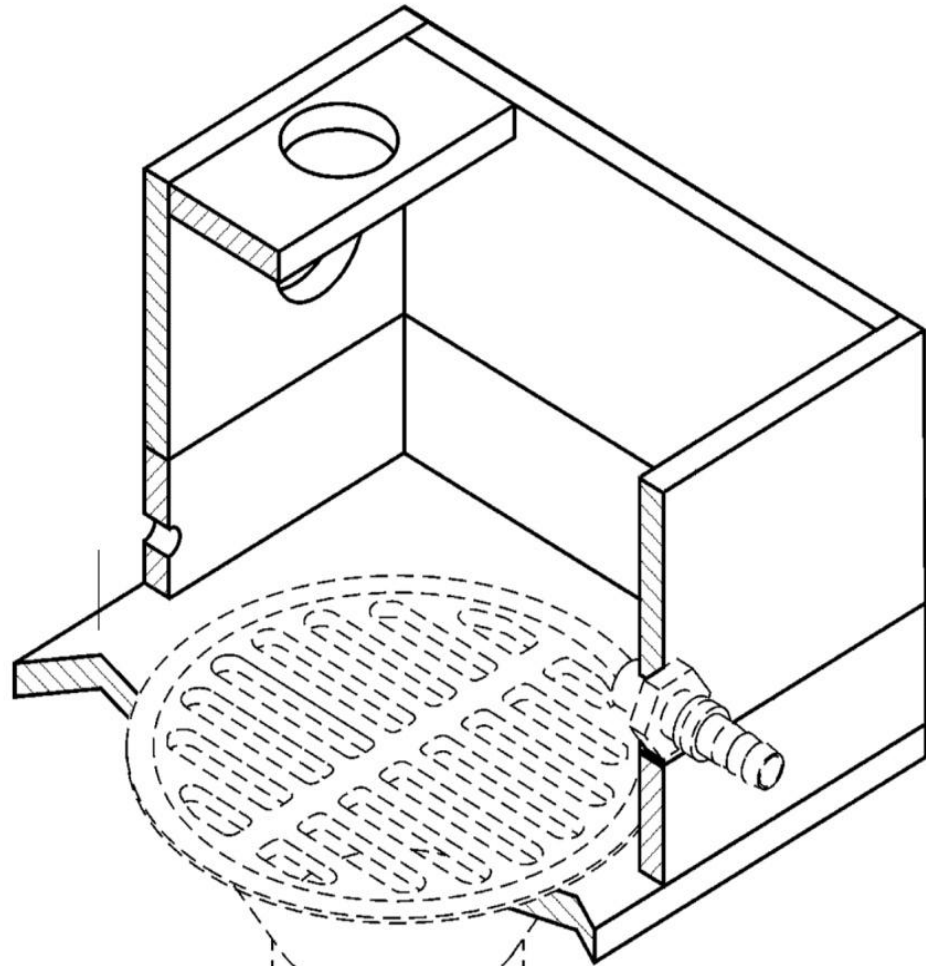
# CONTACT:

**BILLY HADLOW**

+27 (82) 336-7929

[billy@hadlowinnovation.co.za](mailto:billy@hadlowinnovation.co.za)

[www.hadlowinnovation.co.za](http://www.hadlowinnovation.co.za) |  
[info@hadlowinnovation.co.za](mailto:info@hadlowinnovation.co.za)



Thank you